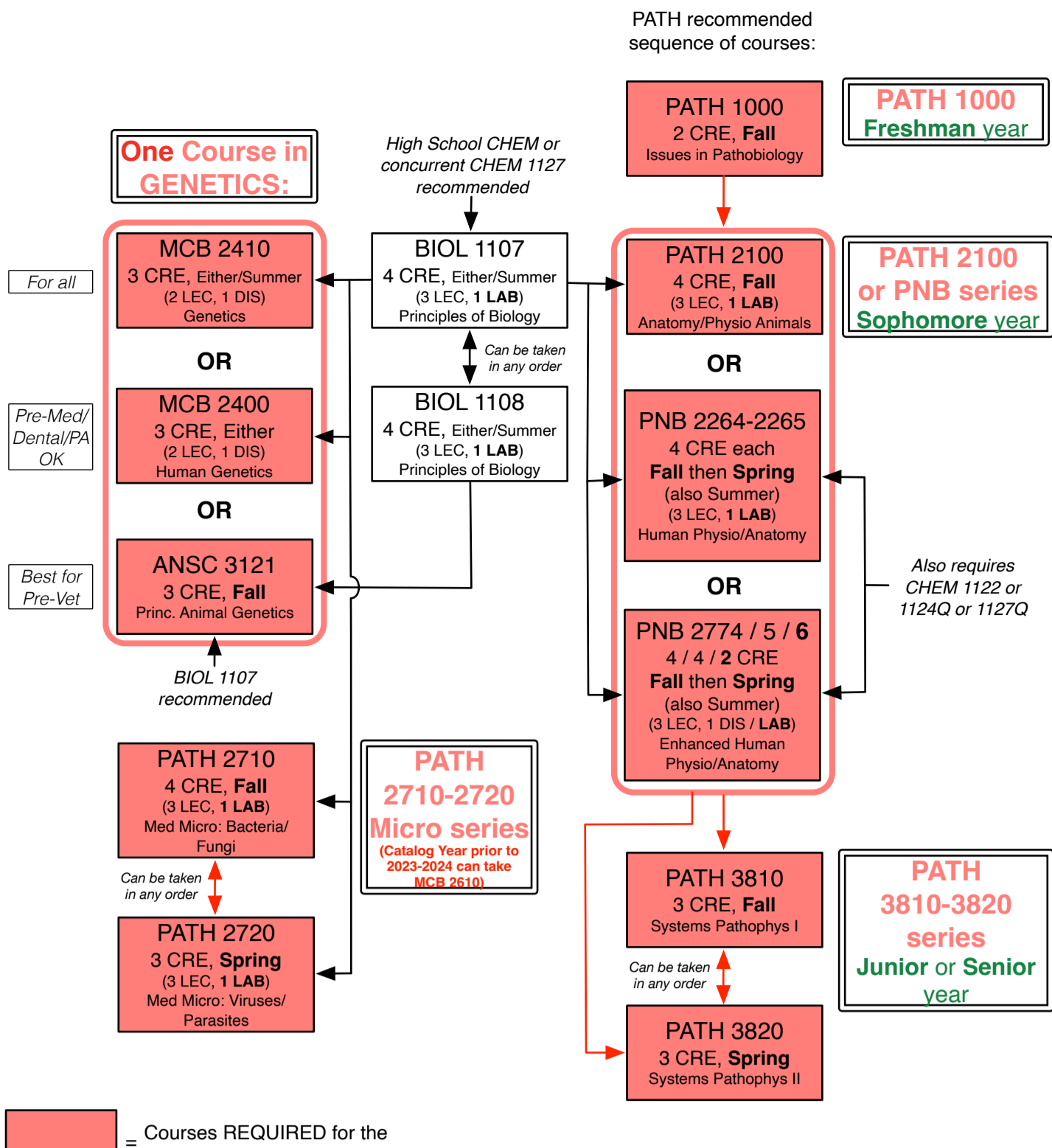


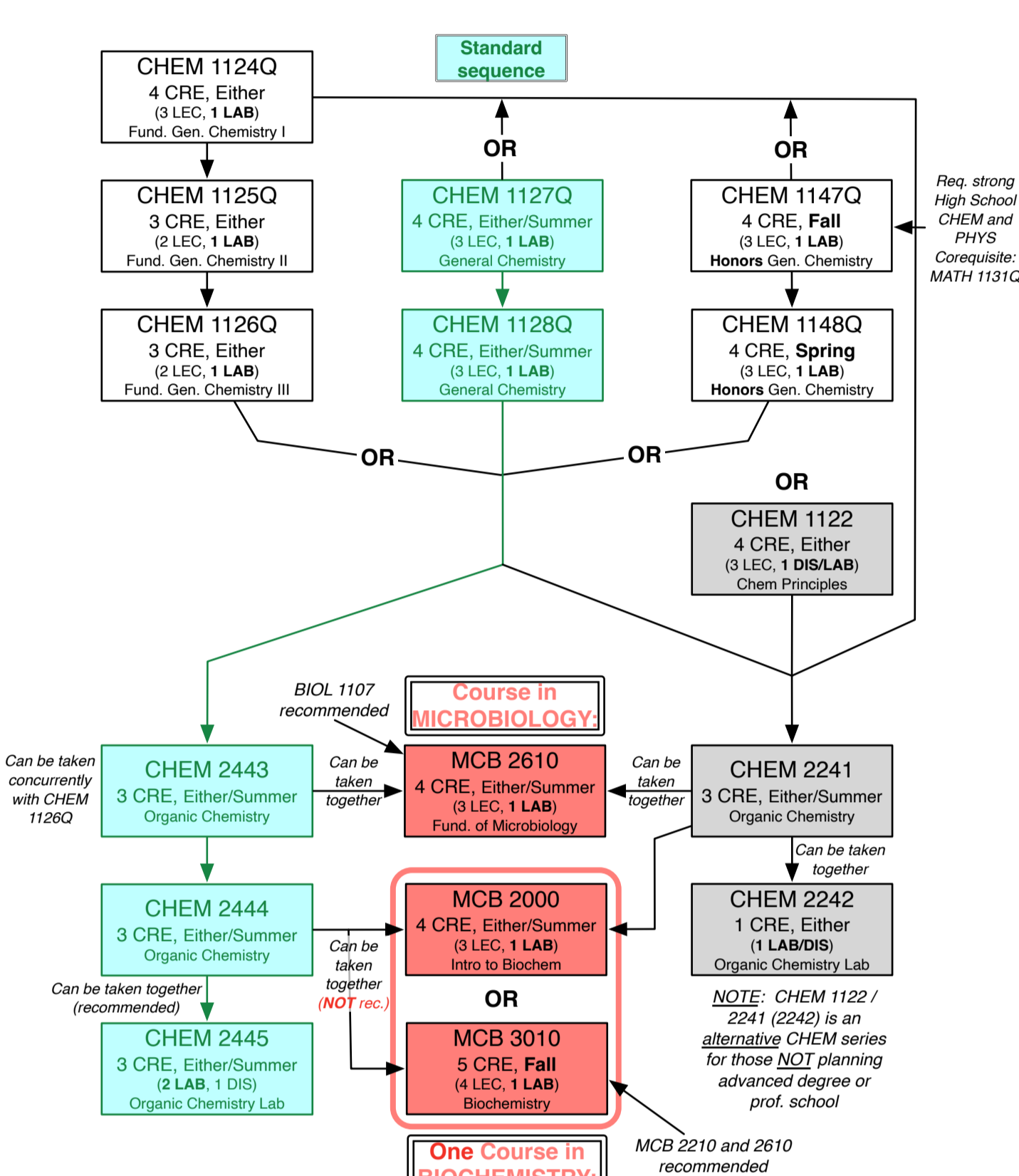
# PATHOBIOLOGY

## CURRICULUM MAP: MAJOR INDIVIDUAL COURSE REQUIREMENTS (other than Gen Ed, Competency, and College Requirements)

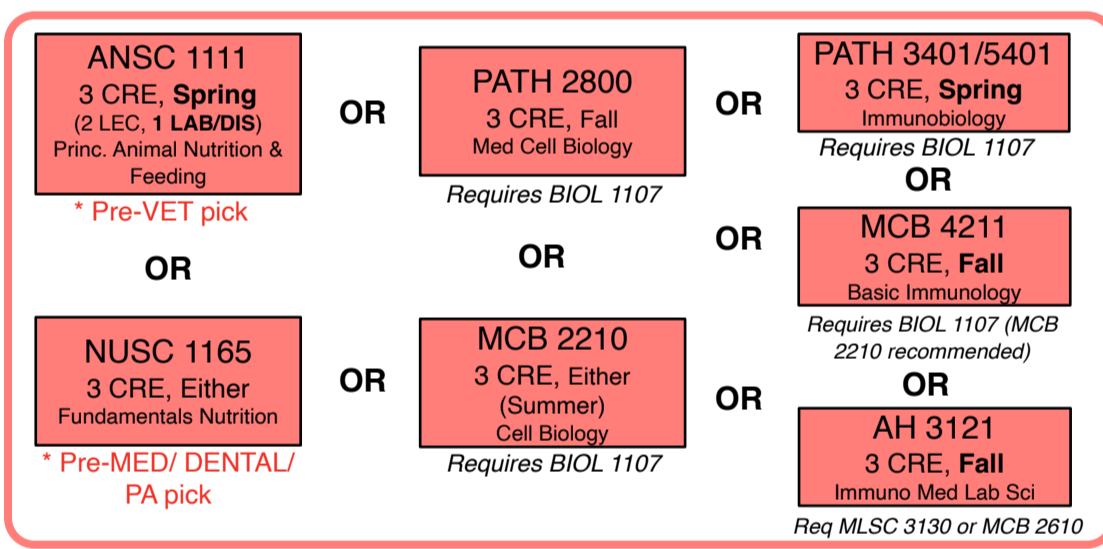
### PATH CORE & MICRO / BIO / GENETICS / SERIES



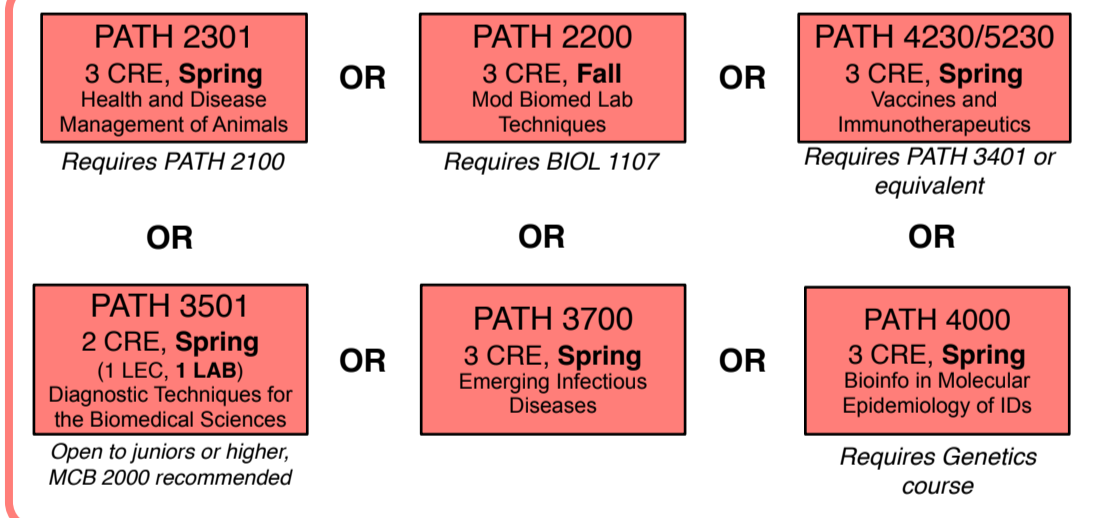
### CHEM / BIOCHEM / MICRO SERIES



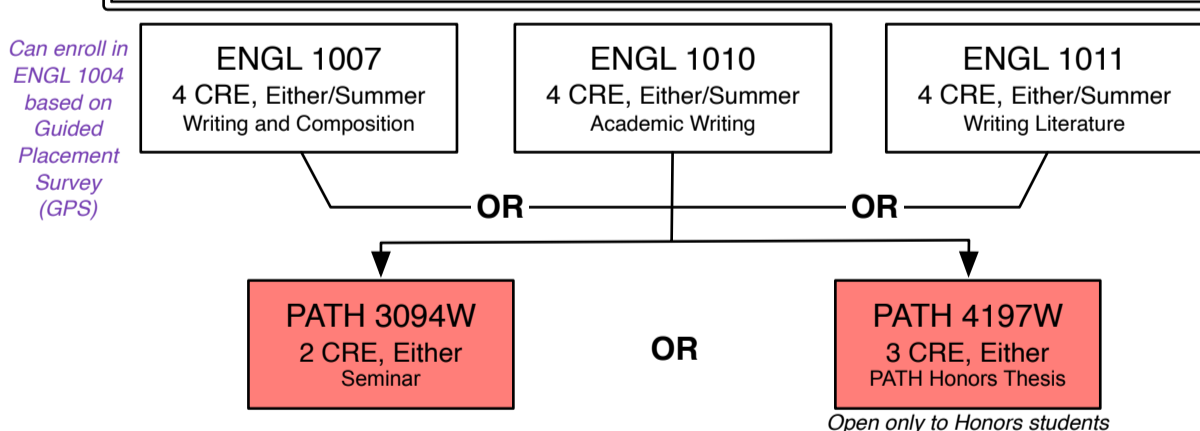
### One Course in NUTRITION, IMMUNOLOGY, OR CELL BIOLOGY:



### One of the following PATH Courses:



### One "W" Course in PATH:



### MATH / STAT:

**NOTE:** All students must complete/pass 2 Q courses. One course **MUST** be in MATH or STAT

